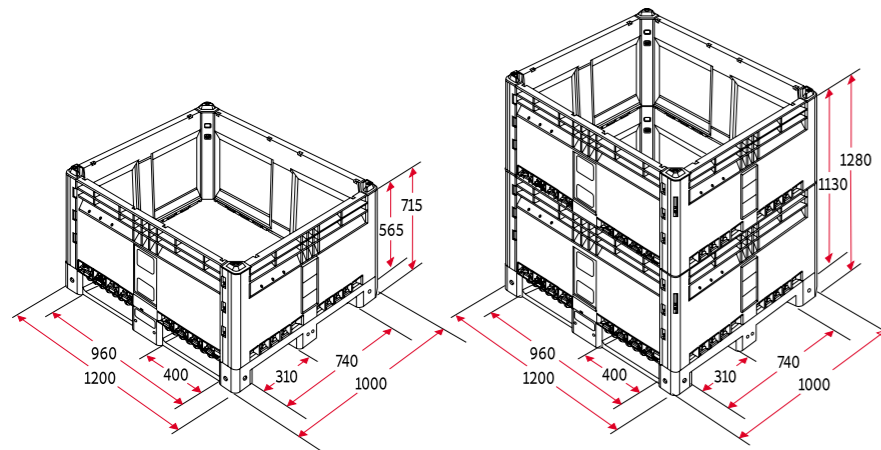


Technical Data



Compatible with 1000-ACE lids



| | KitBin Single | KitBin Double |
|--------------------------------|----------------------|----------------------|
| External dimensions (LxWxH) mm | 1200x1000x715 | 1200x1000x1280 |
| Internal dimensions (LxWxH) mm | 1120x920x565 | 1120x920x1130 |
| Volume (litre) | 617 | 1234 |
| Tare weight (kg) | 39 | 59 |
| Max load (kg) | 600 | 600 |
| Max. stack load (kg) | 3000 | 1800 |
| Raw material | HDPE Structural Foam | |
| Temperature range | -40C° up to +60C° | |
| Type | Perforated or Solid | |

*Due to deviations in the manufacturing process, tare weight may vary by ± 1.5%.

*Dimensions may vary by ±1%.

Land and Sea Transport

Road transportation

| Dimensions[m] [Inside] | Size m (LxWxH) | Single Height | | Double Height | |
|------------------------|-------------------|---------------|---------|---------------|---------|
| | | Folded | Erected | Folded | Erected |
| Truck | 9.45 x 2.5 x 2.8 | 180 | 54 | 90 | 36 |
| Semi Trailer | 13.4 x 2.5 x 2.8 | 260 | 78 | 130 | 52 |
| Full Trailer | A+B | 300 | 220 | 150 | 150 |
| Porter only (A) | 7.30 x 2.5 x 2.9 | 140 | 56 | 70 | 28 |
| Trailer only (B) | 8.20 x 2.5 x 3 | 160 | 64 | 80 | 32 |

Sea transportation

| | 20' | 40' |
|----------------------|-----|-----|
| Single Height Kitbin | 80 | 215 |
| Double Height Kitbin | 45 | 149 |



KitBin®

The Multi Purpose Bulk Container



- Space saving of up to 63%
- Unique removable walls
- Four way forklift entry
- Hygienic design



Features

- The bin that grows with your needs from single to double height
- Comprehensive solutions for the whole supply chain
- Unique removable walls
- Quick and easy assembly
- Patented locking design
- Hygienic smooth surfaces
- Available with solid or perforated walls
- Removable walls provide easy access for ergonomically correct loading and unloading



Easy and Simple Assembly



Walk-in system

Any wall can be easily removed and the system becomes a Walk-in system

- **Easy access**
- **Ergonomically Correct**



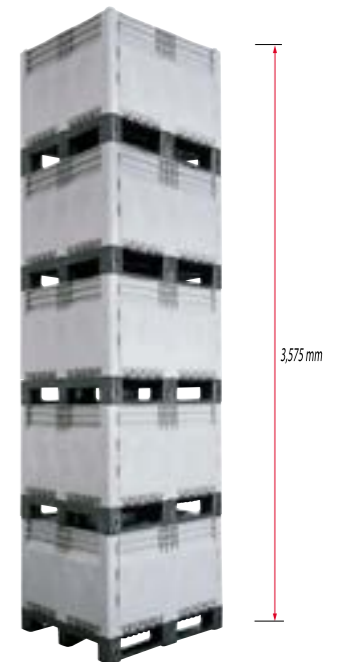
One Modular Product For Many Kinds of Solutions

The Kitbin is a uniquely designed system offering considerable flexibility. The system is comprised of a pallet base and four independent sides, fitted together to create a strong and durable container whilst offering space savings when not in use.

- The unique interlock mechanism is the key to the KitBin's flexibility. It allows each side panel to be locked into position around the pallet base giving added strength. This enables sidewalls to be built up to three high giving one container a range of heights from 715mm to 1845mm.
- The base can also be used independently as a standard pallet when the sidewalls are not required.
- Units are moulded in tough structural foam and have been designed to withstand impact, resulting in vastly improved product protection and reduced product damage during transit.
- The true modular construction of the system also means simpler and easier repairs.

Space saving

Four disassembled containers fit into one KitBin® with the pallet bases nested on top. Five Kitbins can therefore fit into the same footprint as one. It means savings of up to 63% storage area space



Unique design patented lock



The patented design allows any of the walls to be completely detached from the pallet base so that the container can be filled from the front by leaving one wall detached



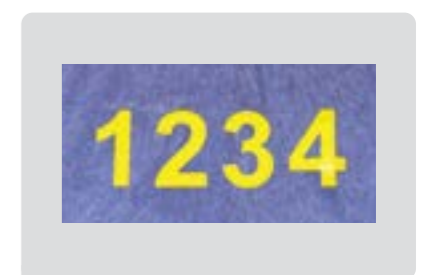
Logo Options



Hot stamped logo



Embossed logo



Sequential numbering