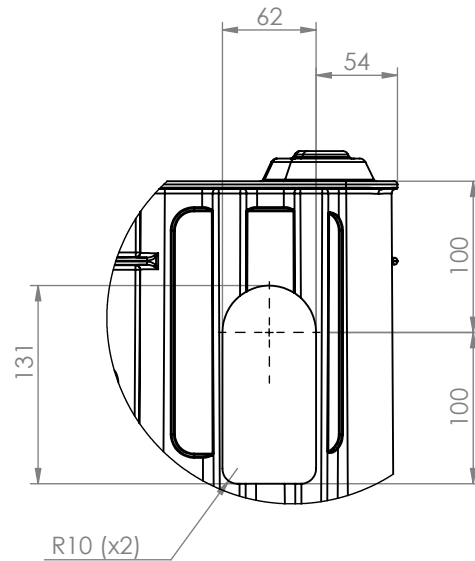
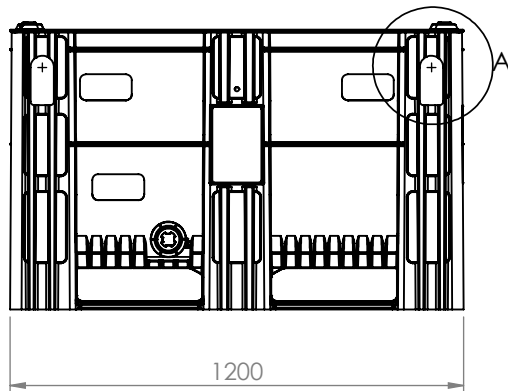
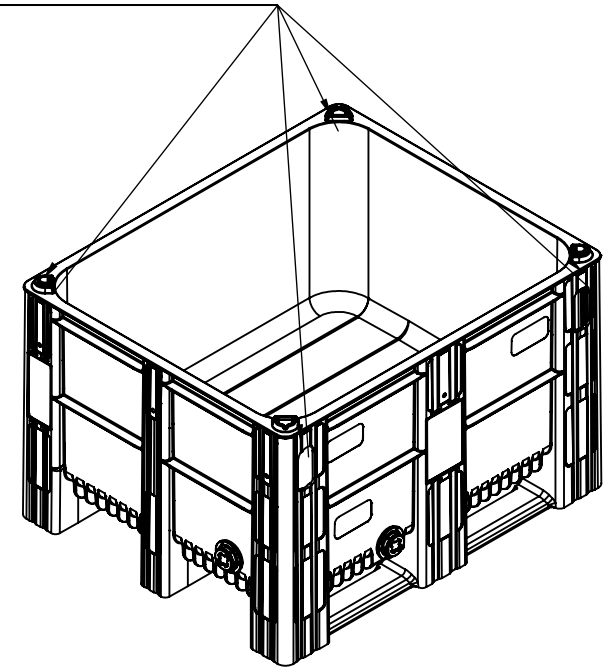


# Openings for hoisting straps



DETAIL A  
SCALE 1 : 5



UNLESS OTHERWISE SPECIFIED:  
DIMENSIONS ARE IN MILLIMETERS  
SURFACE FINISH:  
TOLERANCES:

Linear: +/- 1 mm  
Angular: +/- 1 deg

COMMENTS:

path:

DWG. NO.

1336

CATALOG NO.

2400300990

REVISION

A

**DOLAV**® PLASTIC PRODUCTS  
DOLAV PLASTIC PRODUCTS Cooperative Society Ltd  
Kibbutz Dolev, P.O. Box 48500, Israel  
Tel: +972 8 9111700 Fax: +972 8 9826710  
<http://www.dolav.com>

	NAME	DATE	SIGNATURE
DRAWN	tzur	28/07/15	
APPVD	gilad	29/07/15	
CREATOR	tzur	28/07/15	

DETAILS:

ACE Box with hoisting holes and drainage ports

FINISH:

MATERIAL:

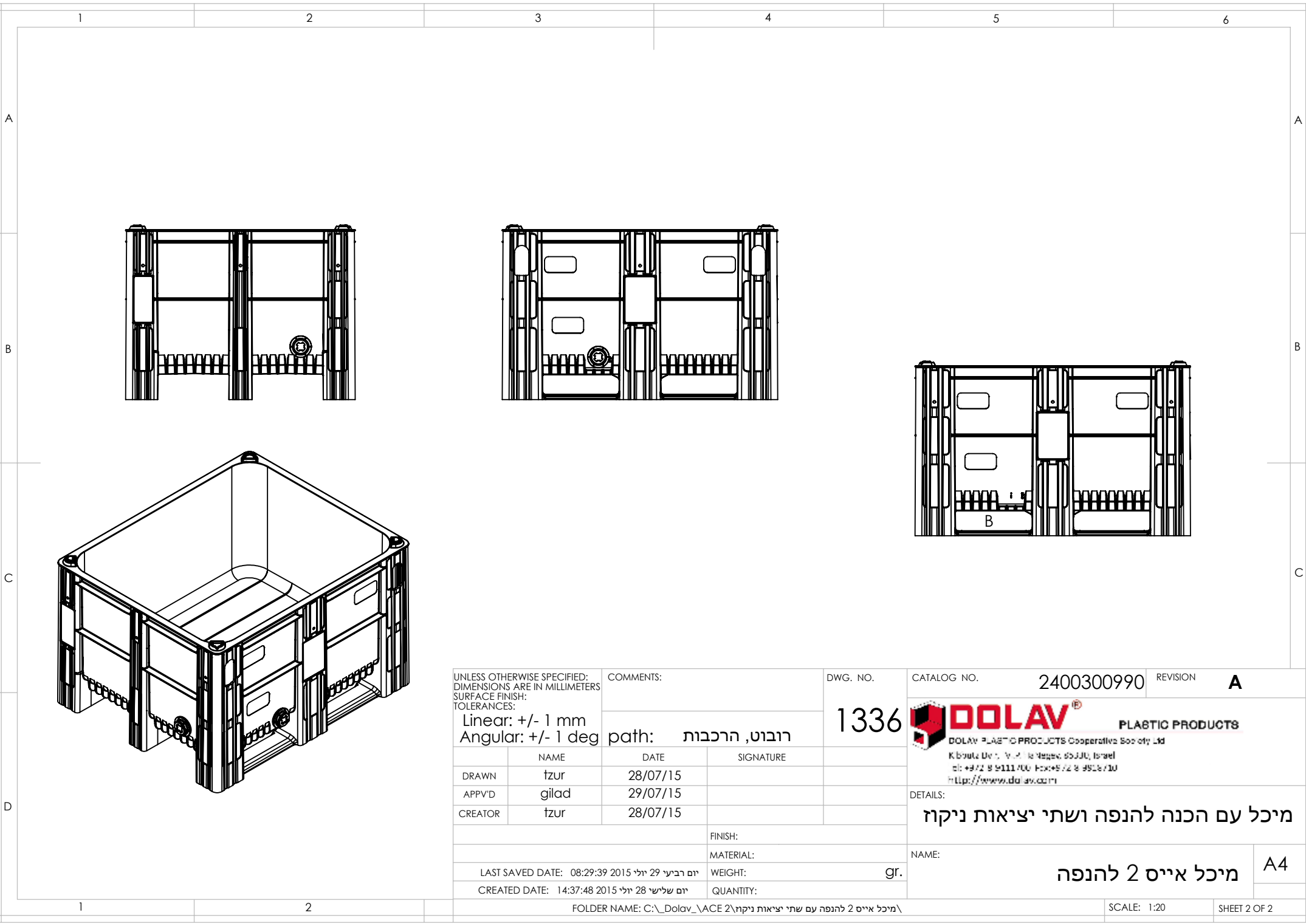
WEIGHT:


gr.

NAME:

Winch-able ACE Box

A4



UNLESS OTHERWISE SPECIFIED: DIMENSIONS ARE IN MILLIMETERS SURFACE FINISH: TOLERANCES: Linear: +/- 1 mm Angular: +/- 1 deg		COMMENTS: רובוט, הרכבות path:	DWG. NO. <b>1336</b>	CATALOG NO. 2400300990	REVISION <b>A</b>
DRAWN	NAME: tzur	DATE: 28/07/15	SIGNATURE:	 <p>DOLAV PLASTIC PRODUCTS Cooperative Society Ltd          מרכז תעשיית הפלסטיק, תל אביב, ישראל          טל: +972 3 5111700 פקס: +972 3 5512710  <a href="http://www.dolav.com">http://www.dolav.com</a></p>	
APPVD	NAME: gilad	DATE: 29/07/15	SIGNATURE:		
CREATOR	NAME: tzur	DATE: 28/07/15	SIGNATURE:		
			FINISH:		
LAST SAVED DATE: 08:29:39 2015 יולי 29 רביעי			MATERIAL:	DETAILS: <b>מיכל עם הכנה להנפה ושתי יציאות ניקוח</b>	
CREATED DATE: 14:37:48 2015 יולי 28 שלישי			WEIGHT: gr.	NAME: <b>מיכל אייס 2 להנפה</b>	
FOLDER NAME: C:\_Dolav_\ACE 2\ניקוח 2 להנפה עם שתי יציאות ניקוח			QUANTITY:	SCALE: 1:20	

A4