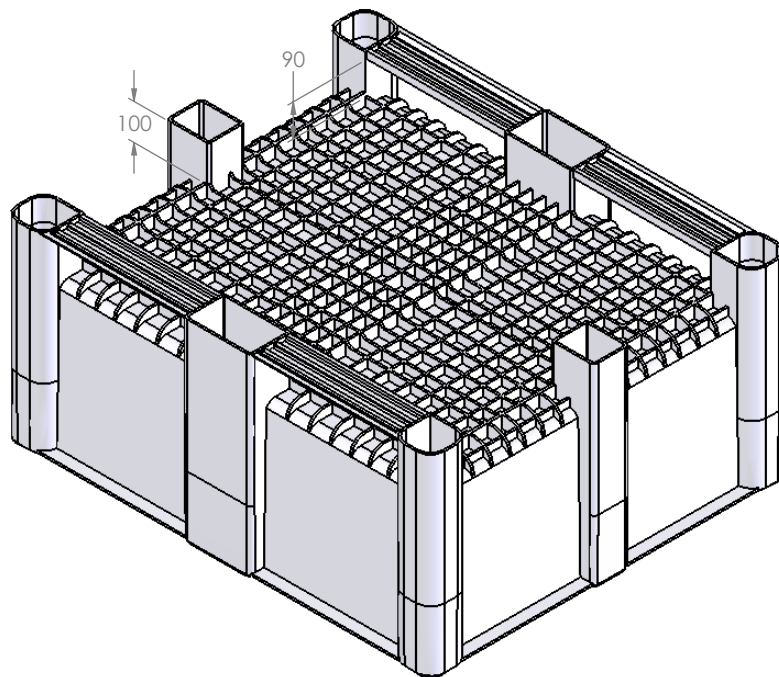
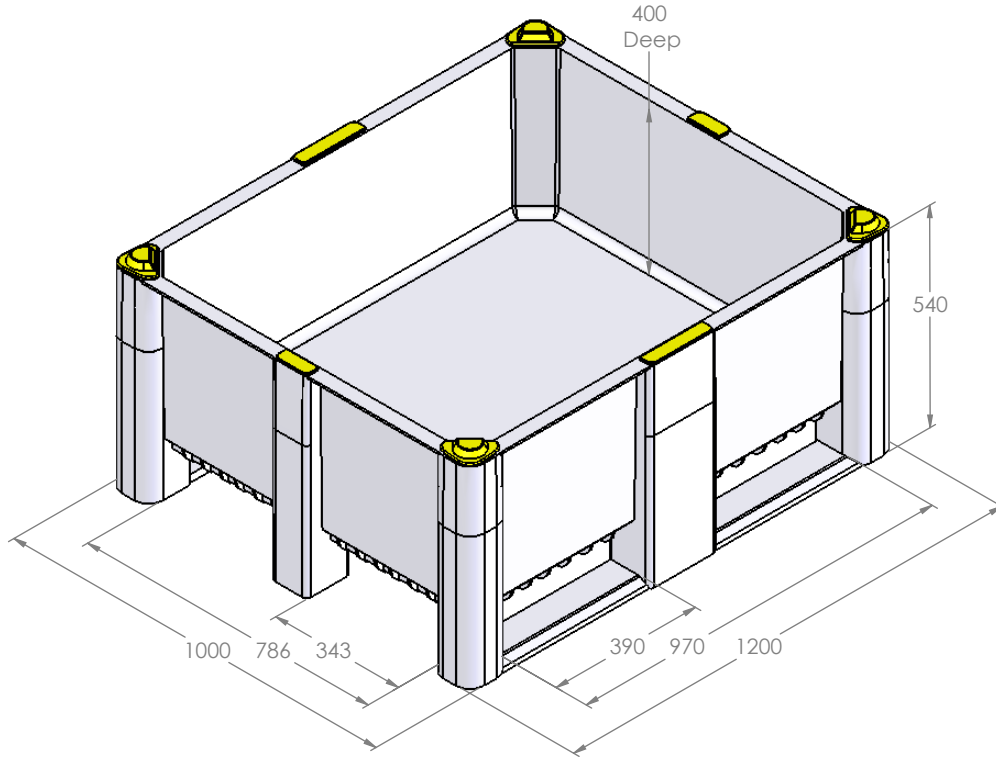




PLASTIC PRODUCTS

DOLAV PLASTIC PRODUCTS Cooperative Society Ltd
Kibbutz Dvir, M.P. HaNegev, 85340, Israel
Tel: +972 8 9111700 Fax: +972 8 9918710
<http://www.dolav.com>

BOX-PALLET TYPE :
1000 solid SH - 540



CATALOG NO. 1101400006