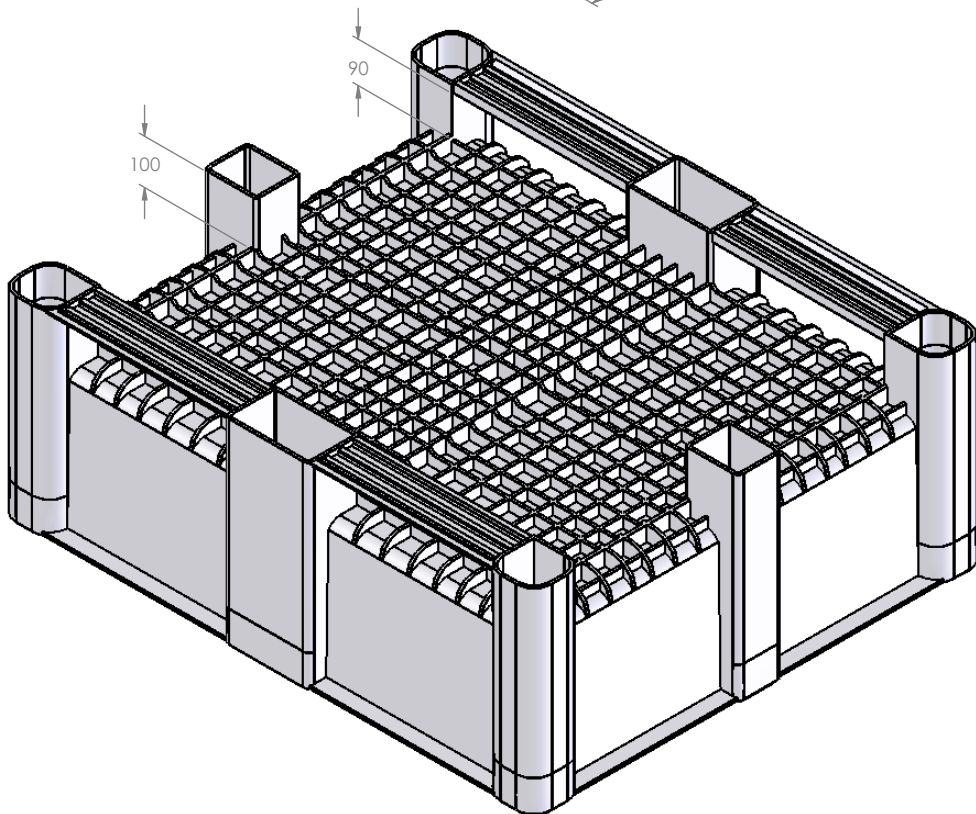
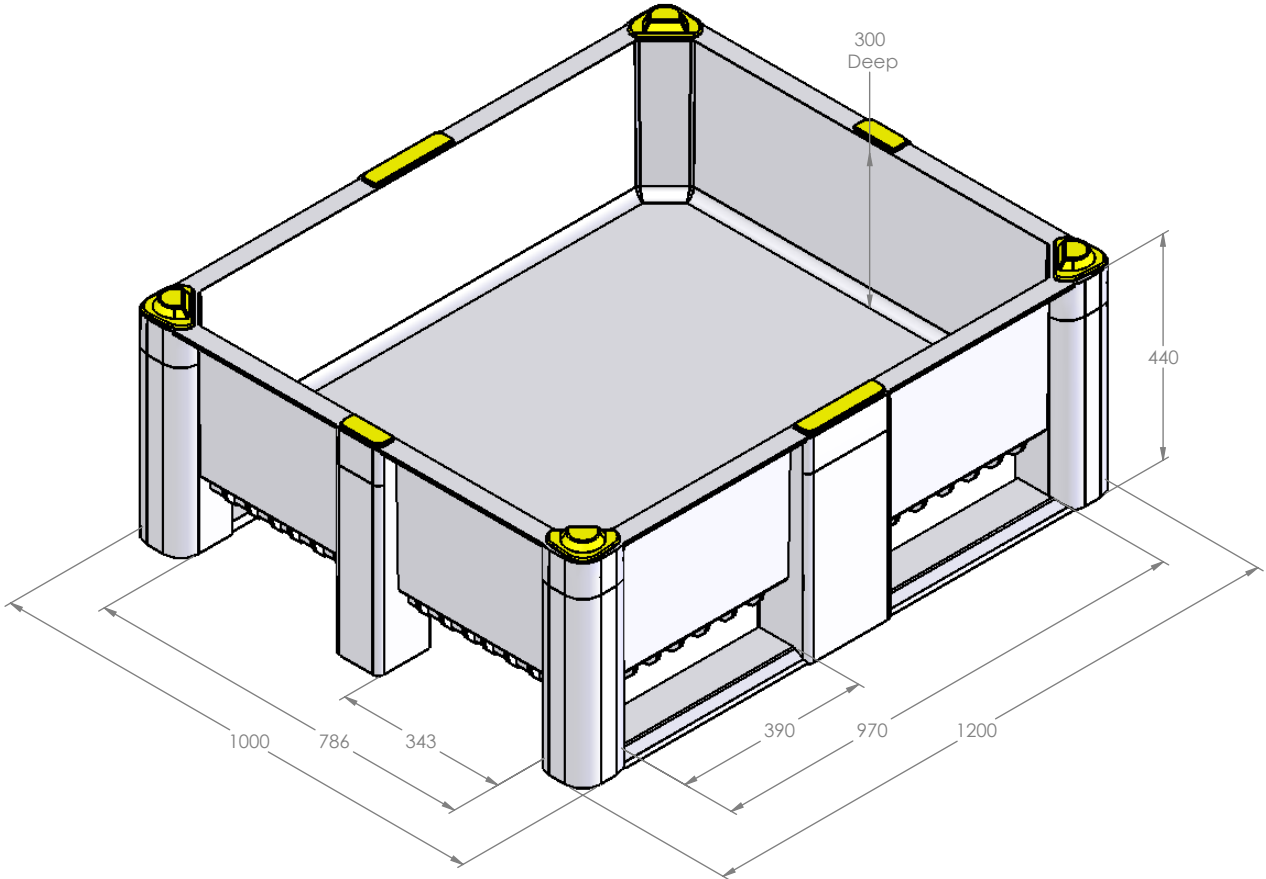




PLASTIC PRODUCTS

DOLAV PLASTIC PRODUCTS Cooperative Society Ltd
Kibbutz Dvir, M.O. HaNegev, 85330, Israel
Tel: +972 8 9111700 Fax: +972 8 9518710
<http://www.dolav.com>

BOX-PALLET TYPE :
1000 solid SH - 440



CATALOG NO. 11013000006