



PLASTIC PRODUCTS

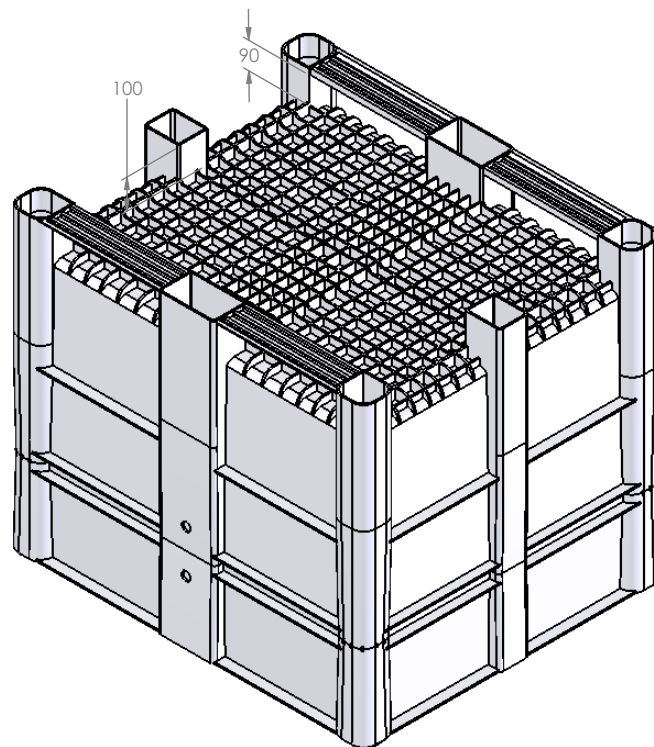
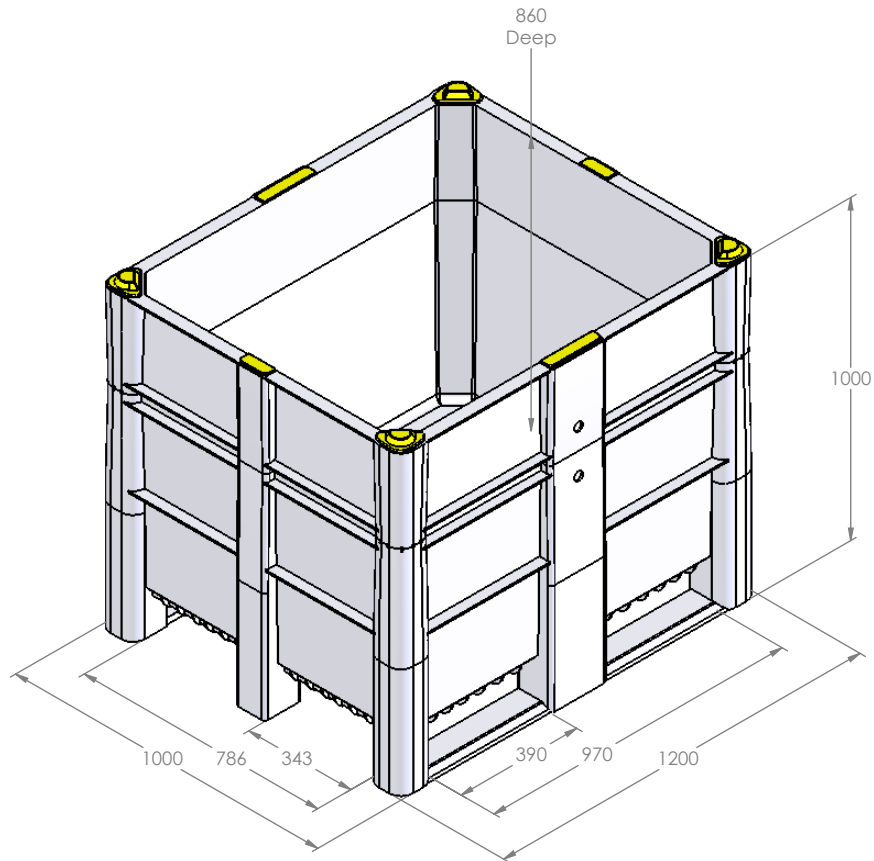
DOLAV PLASTIC PRODUCTS Cooperative Society Ltd

Kibbutz Dv 1, M.P. HaNegev, 85330, Israel

Tel: +972-8-9111700 Fax: +972-8-5918710

<http://www.dolav.com>

BOX-PALLET TYPE :
1000 solid SH - 1000



CATALOG NO. 11017000006