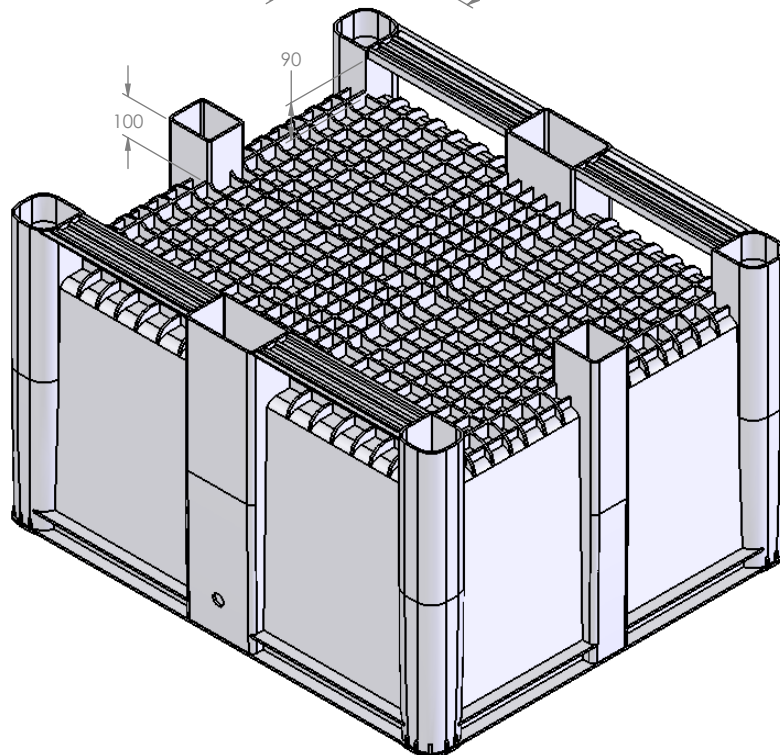
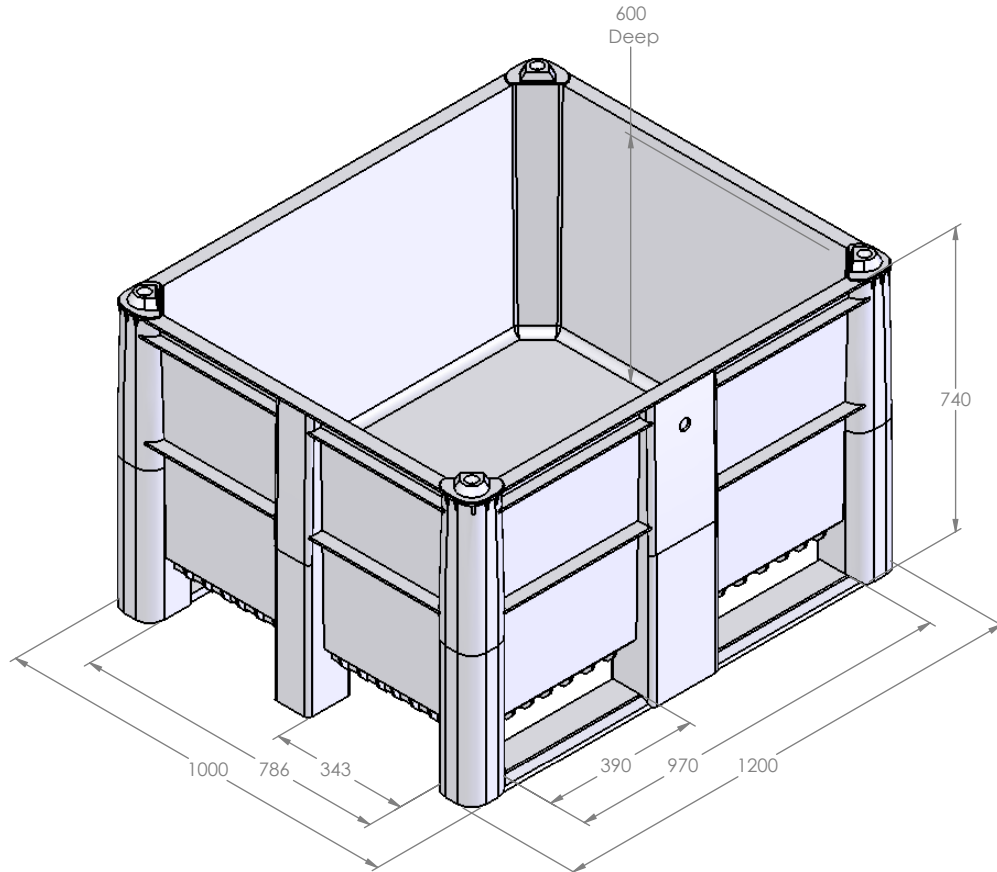




PLASTIC PRODUCTS

DOLAV PLASTIC PRODUCTS Cooperative Society Ltd
Kibbutz Dvir, M.P. HaNegev, 85330, Israel
Tel: +972-8-9111700 Fax: +972-8-9918710
<http://www.dolav.com>

BOX-PALLET TYPE :
1000 solid - standard



CATALOG NO. 1100200000