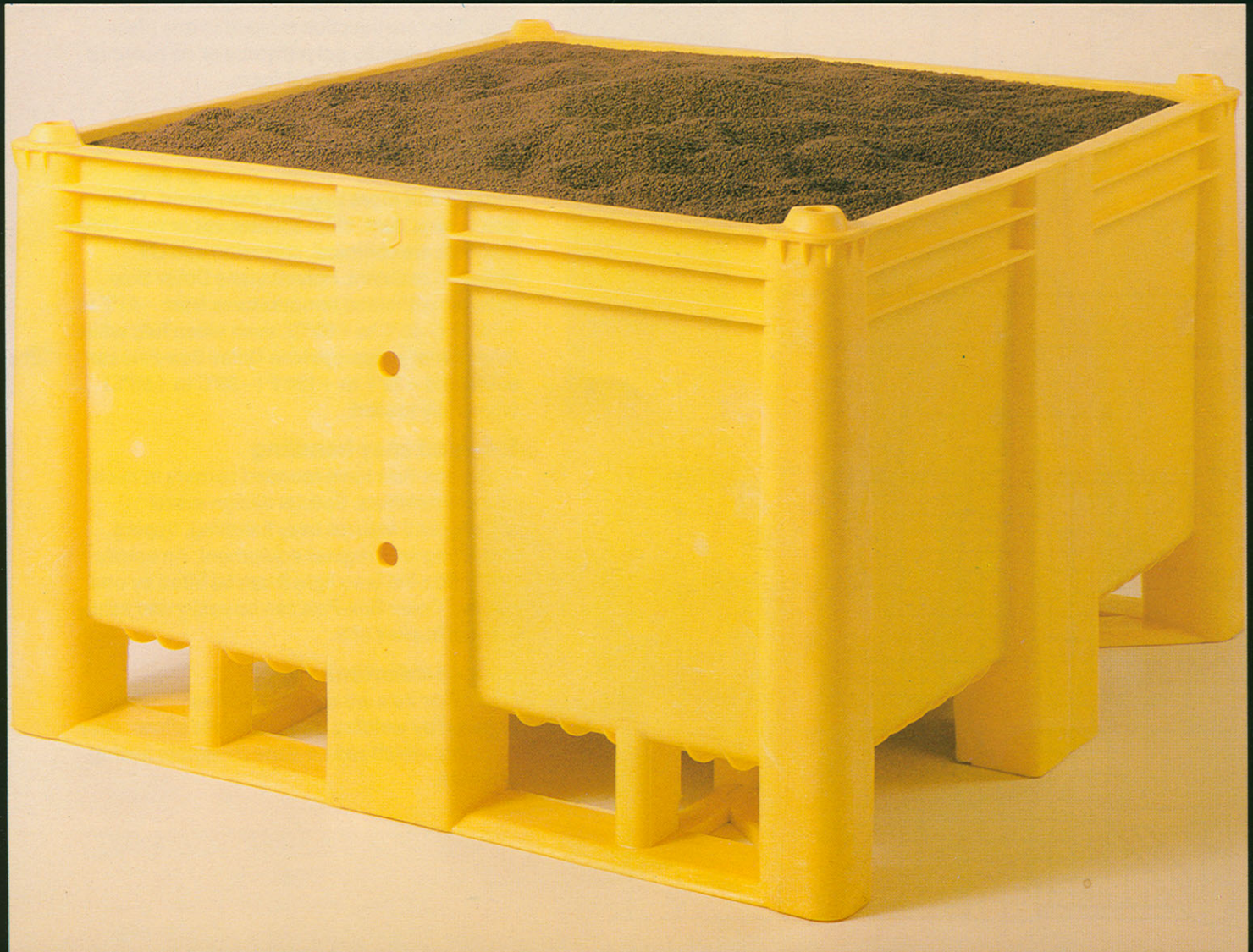


DOLAV BOX-PAL TYPE 1200

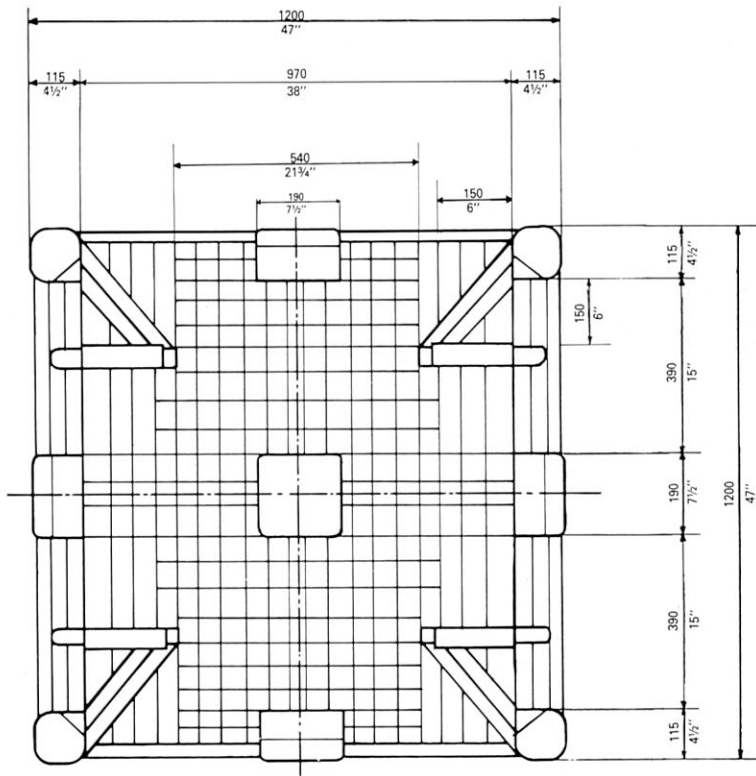
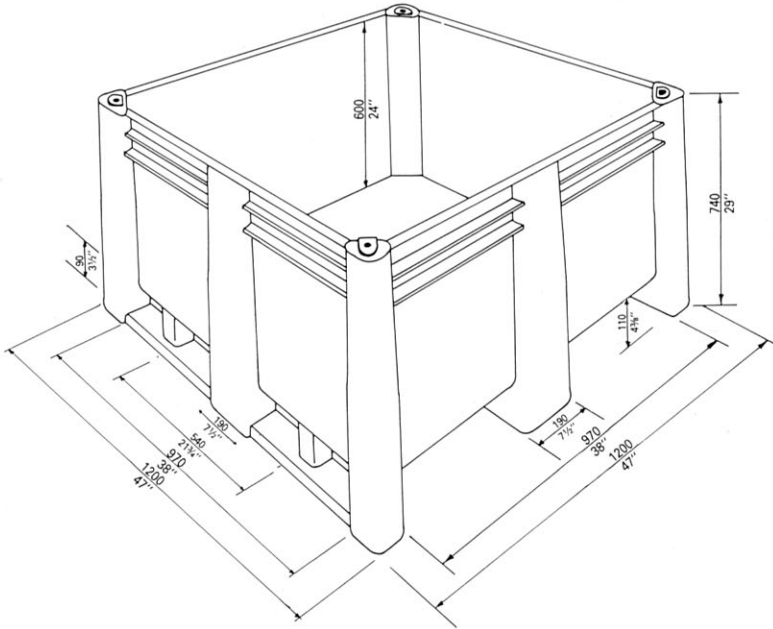


DOLAV BOX-PAL TYPE 1200

SPECIFICATIONS:

External Dimensions (L×W×H)	47"×47"×29"	1200×1200×740 mm
Internal Dimensions (L×W×H)	44"×44"×24"	1120×1120×600 mm
Tare Weight*	95 lbs	43 kg
Volume	185 gal	700 lt
Maximum Load	1,870 lbs	850 kg
Maximum Stacking Load	9,400 lbs	4,250 kg

*Weight tolerance ± 0.5 kg (± 1 lb)



Dolav Box-Pals are the leading, one-piece lightweight, heavy duty, large capacity, multi-purpose box-pallet containers. The Box-Pals are available solid or perforated, in a range of sizes and various models.

Solid Dolav Box-Pals

for all types of powders, liquids or granular materials.

Perforated Dolav Box-Pals

for general use and for products requiring ventilation, such as meats, fruit, vegetables, fish, etc.

Multi-purpose

- for loading and transporting agricultural produce;
- for production line materials handling in food, chemical, pharmaceutical industries, etc.;
- for storage in cold stores, plants and packing houses;
- as carts, with add-on castors, in laundries, hospitals, etc.

Sturdy U.S.D.A. and F.D.A. (U.S.) approved materials are used in producing Dolav Box-Pals. They are injection molded in one piece from high density polyethylene or co-polymer polypropylene structural foam.

Long lasting and economical

Dolav Box-Pals are better than stainless steel, stronger than other plastic moldings and sturdier and more hygienic than wood. They don't warp, dent, chip, splinter, rot or rust. Dolav Box-Pals are chemical, corrosion and UV radiation resistant. Polyethylene Dolav Box-Pals can withstand temperatures from -41°F to +140°F (-40°C to +60°C), even when full; while co-polymer polypropylene Dolav Box-Pals can withstand -22°F to +194°F (-30°C to +90°C) when fully loaded.

Safe and easy handling

Dolav Box-Pals have rounded corners to avoid harm to handlers. Special design averts slipping and assures easy handling, tipping and lifting with regular equipment. An empty Dolav Box-Pal is so light it can be lifted by one person. Dolav Box-Pals can be easily and safely stacked in piles of 6.

Simple maintenance

Dolav Box-Pals are quickly and inexpensively repaired by welding. Smooth walls allow easy cleaning, which can be done by simple hosing or steam.

CHEMTECH INTERNATIONAL INC.

P.O. BOX 951

MEDIA, PA 19063, U.S.A.

TEL. 610-566-7177 FAX. 610-566-9198

www.chemtech-usa.com