



PLASTIC PRODUCTS

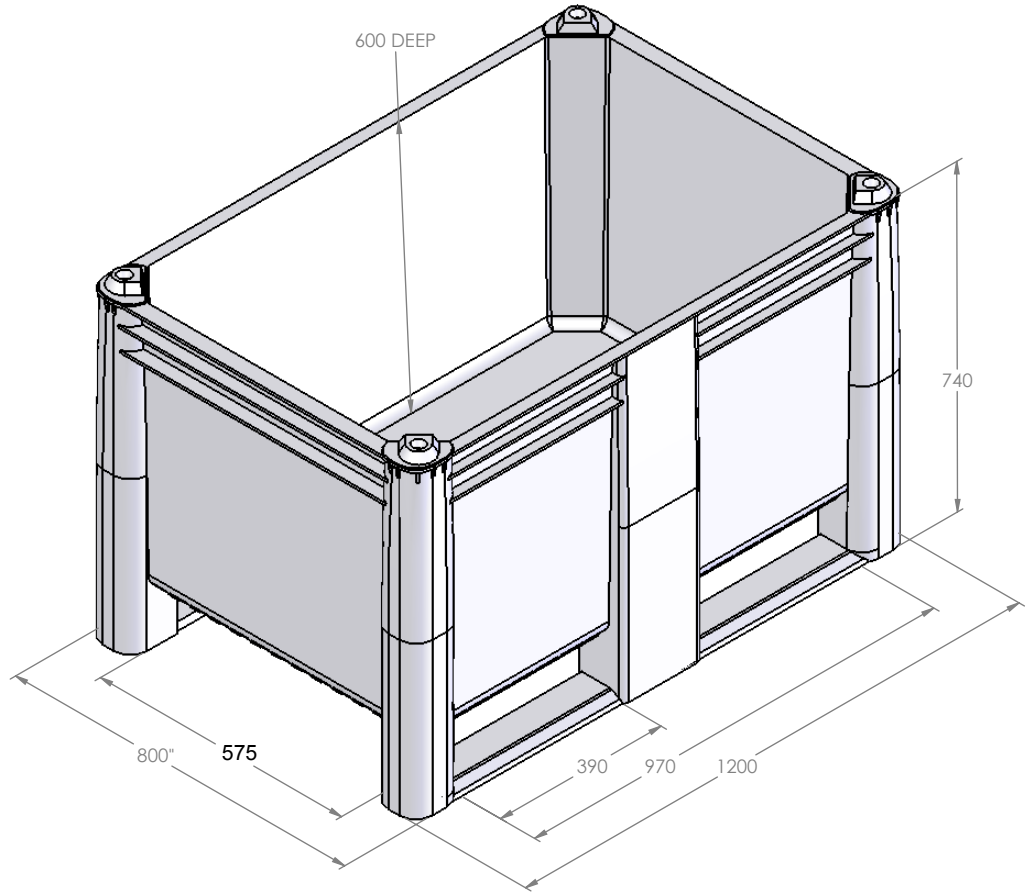
DOLAV PLASTIC PRODUCTS Cooperative Society Ltd

Gibbuz Dv 1, M.P. HaNegev, 85330, Israel

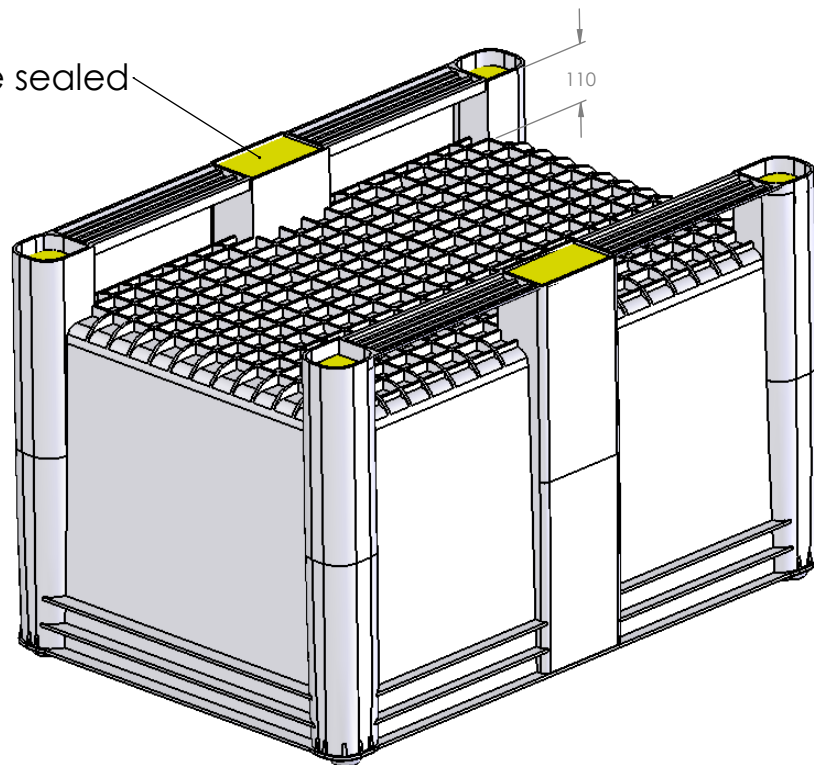
Tel: +972-8-9111700 Fax: +972-8-5918710

<http://www.dolav.com>

BOX-PALLET TYPE :
800 Solid USDA



The legs are sealed



Dimension Tolerance +/-1%

CATALOG NO. 1000000506